
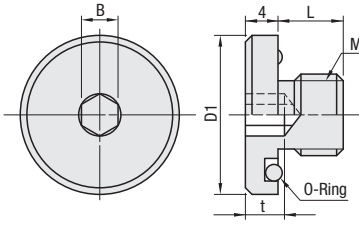


Seal Plugs / Lubrication-Free Seals

Oil Seals

Seal Plugs **FSPS**


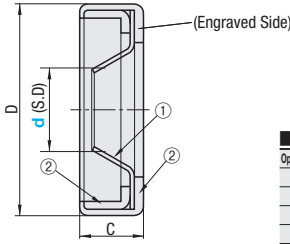



Operating Temperature Range: -40 ~ 200°C
 Material: Body: SUS304
 O-Ring: Fluoro Rubber (Hardness Shore A75) (JIS B2401 Class 4 D)

Part Number		M (Fine)	L	D1	B	t	O-Ring No.	Recommended Tightening Torque (N·m)	Mass (g)	Unit Price	
Type	No.									1 ~ 9 pc (s).	10~50
FSPS	8	M 8x1.0	7	16	5	3.5	P10	10.9	4		
	10	M10x1.0	8	19.5	5	4	P12.5	13.7	7		
	12	M12x1.5	12	21	6	5	P14	19.2	14		
	14	M14x1.5	12	23	6	5	P16	27.4	19		
	16	M16x1.5	12	25	8	6	P18	44.5	25		

Ordering Example **Part Number**
FSPS10

Lubrication-Free Seals **MFHN**


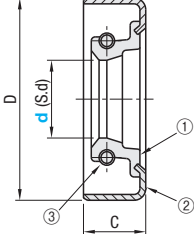
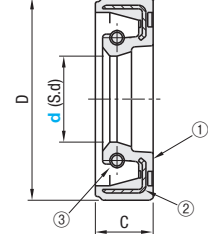
Operating Temperature Range: -60~200°C
 Operating Pressure: 0.03MPa or Less
 Wind Velocity: 30m/sec. or Less
 Shaft Tolerance: h7 (or g6)
 Shaft Coarseness: Ra:0.2~0.45µm Rz:0.8~1.8µm
 Sealed Substance: High Temperature Vapor, Water, Chemicals, Oil

Part Number		d	D	C	Unit Price
Type	d				
MFHN	10	25	+0.09 +0.04	7.0	±0.3
	12	30			
	15	40			
	20	45	+0.11 +0.05	11.0	±0.4
	25	50			
	30	55			
	35	62			
	40	62			
	40	72			
	50	72			

Ordering Example **Part Number**
MFHN25

Oil Seals - Single Lip

Type	Material			Applications
	① Oil Seal: Rubber Hardness	② Metal Ring	③ Spring	
MUSB	Nitrile Rubber (NBR): Hs70	SPCC	SW-B	Rotary Motion
MUSC	Nitrile Rubber (NBR): Hs70	SPCC	SW-B	Rotary Motion

Operating Temperature Range: -25~120°C
 Operating Pressure: 0.03MPa or Less
 Wind Velocity: 10m/sec. or Less
 Shaft Tolerance: h8 (or g6)
 Shaft Coarseness: 3S or Less
 Sealed Substance: Oil, Grease

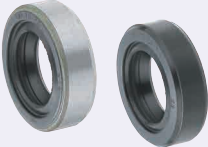
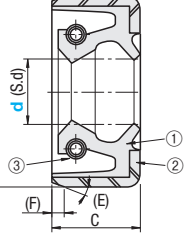
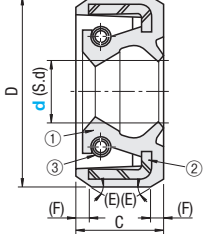
Part Number		d	D	C	Unit Price
Type	d				
MUSB	20	32	+0.11 +0.05	8	±0.3
	25	38			
	30	40			
	35	50			

Part Number		d	D	C	Unit Price
Type	d				
MUSC	10	20	+0.09 +0.04	7	±0.3
	12	22			
	15	35			
	20	35	+0.11 +0.05	8	±0.3
	25	40			
	30	42			

Ordering Example **Part Number**
MUSC30

Oil Seals - Double Lip

Type	Material			Applications
	① Oil Seal: Rubber Hardness	② Metal Ring	③ Spring	
MUDN	Nitrile Rubber (NBR): Hs70	SPCC	SW-B	Rotary Motion
MUEN	Nitrile Rubber (NBR): Hs70	SPCC	SW-B	Rotary Motion

Operating Temperature Range: -25~120°C
 Operating Pressure: 0.03MPa or Less
 Wind Velocity: 10m/sec. or Less
 Shaft Tolerance: h8 (or g6)
 Shaft Coarseness: 3S or Less
 Sealed Substance: Oil, Grease

Part Number		d	D	C	(E)	(F)	Unit Price	
Type	d							
MUDN	10	20	+0.09 +0.04	7	30°	1		
	12	25						
	15	25						
	20	32	+0.11 +0.05	8	±0.3	30°	1	
	25	38						
	30	42						
	35	50						
	40	62						
	45	62						
	50	65						

Part Number		d	D	C	(E)	(F)	Unit Price	
Type	d							
MUEN	10	20	+0.30 +0.10	7	30°	1		
	12	25						
	15	25						
	17	30	+0.35 +0.10	8	±0.3	30°	1.0	
	20	32						
	25	38						
	30	42						
	35	50						
	40	62						
	50	65						

Ordering Example **Part Number**
MUEN10